

LK520D3LZ19

TFT-LCD Module

Spec. Issue Date: October 11, 2006

No: LD-18952

No.	LD-18952
DATE	OCT. 11. 2006

TECHNICAL LITERATURE
FOR
TFT - LCD module

MODEL No. LK520D3LZ19

The technical literature is subject to change without notice.
So, please contact SHARP or its representative before designing
your product based on this literature.

DEVELOPMENT DEPT II
DEVELOPMENT CENTER
AVC LIQUID CRYSTAL DISPLAY GROUP
SHARP CORPORATION

1. Application

This technical literature applies to the color 52.0" TFT-LCD module LK520D3LZ19.

- * These technical literature sheets are proprietary products of SHARP CORPORATION ("SHARP") and include materials protected under copyright of SHARP. Do not reproduce or cause any third party to reproduce them in any form or by any means, electronic or mechanical, for any purpose, in whole or in part, without the express written permission of SHARP.
- * In case of using the device for applications such as control and safety equipment for transportation (aircraft, trains, automobiles, etc.), rescue and security equipment and various safety related equipment which require higher reliability and safety, take into consideration that appropriate measures such as fail-safe functions and redundant system design should be taken.
- * Do not use the device for equipment that requires an extreme level of reliability, such as aerospace applications, telecommunication equipment (trunk lines), nuclear power control equipment and medical or other equipment for life support.
- * SHARP assumes no responsibility for any damage resulting from the use of the device that does not comply with the instructions and the precautions specified in these specification sheets.
- * Contact and consult with a SHARP sales representative for any questions about this device.

2. Overview

This module is a color active matrix LCD module incorporating amorphous silicon TFT (Thin Film Transistor). It is composed of a color TFT-LCD panel, driver ICs, control circuit, power supply circuit, inverter circuit and back light system etc. Graphics and texts can be displayed on a 1920 × RGB × 1080 dots panel with 16,777,216 colors by using LVDS (Low Voltage Differential Signaling) to interface, +12V of DC supply voltages.

This module also includes the DC/AC inverter to drive the CCFT. (+24V of DC supply voltage)

And in order to improve the response time of LCD, this module applies the Over Shoot driving (O/S driving) technology for the control circuit. In the O/S driving technology, signals are being applied to the Liquid Crystal according to a pre-fixed process as an image signal of the present frame when a difference is found between image signal of the previous frame and that of the current frame after comparing them.

By using this captioned processes, the image signals of this LCD module are being set so that image response can be completed within one frame, as a result, image blur can be more improved and clear image performance can be realized.

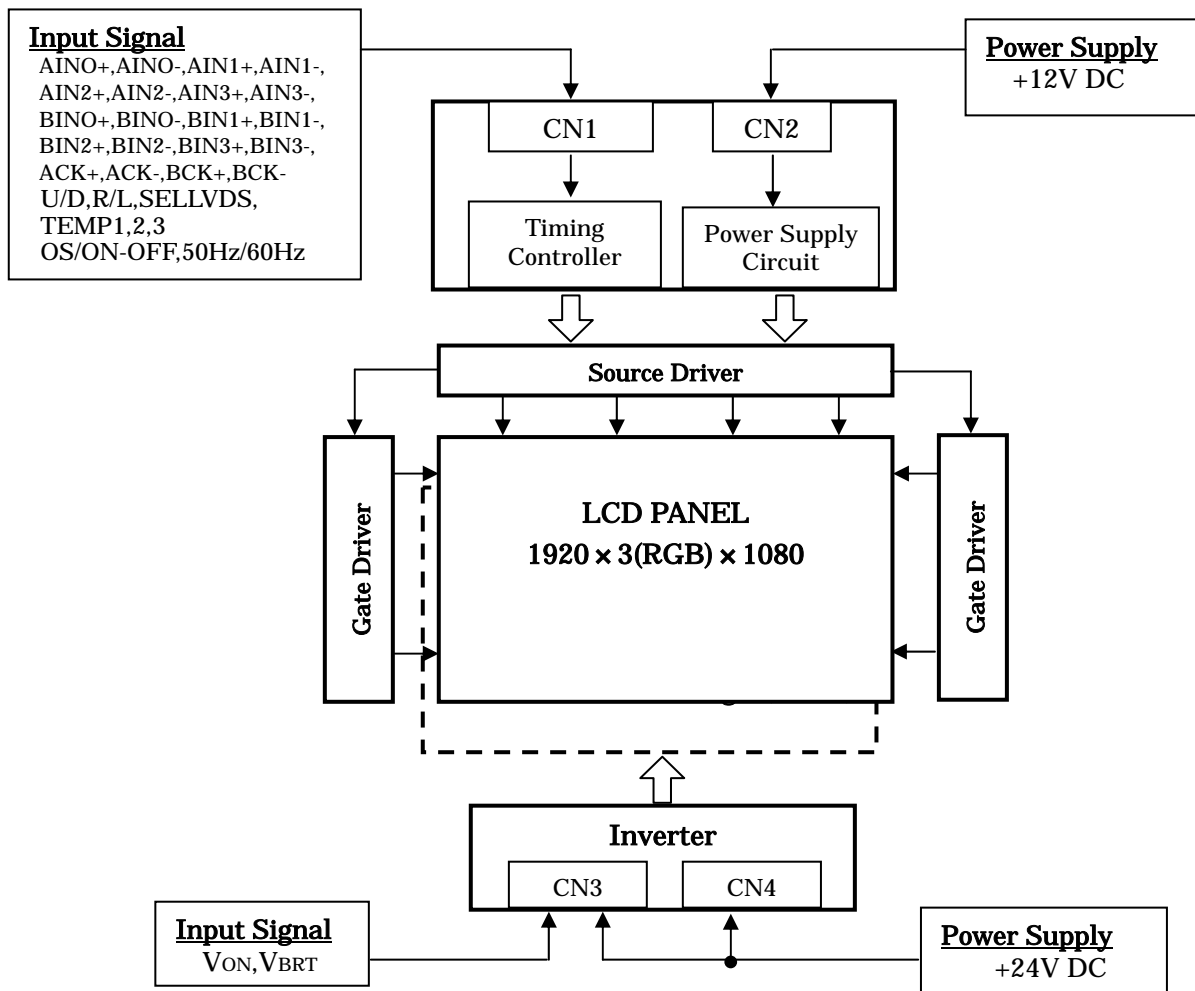
3. Mechanical Specifications

Parameter	Specifications	Unit
Display size	132.174 (Diagonal)	cm
	52.0 (Diagonal)	inch
Active area	1152.0(H) x 648.0(V)	mm
Pixel Format	1920(H) x 1080(V) (1pixel = R + G + B dot)	pixel
Pixel pitch	0.600(H) x 0.600(V)	mm
Pixel configuration	R, G, B vertical stripe	
Display mode	Normally black	
Unit Outline Dimensions (*1)	1219.0(W) x 706.7(H) x (63.0)(D)	mm
Mass	(19.0) ± 1.0	kg
Surface treatment	Anti glare, low reflection coating Hard coating: 2H	

(*1) Outline dimensions are shown in Fig.1

4. Input Terminals

4-1. Block Diagram



4-2. TFT panel driving

CN1 (Interface signals) (Shown in Fig.1)

Using connector : FI-RE41S-VF (Japan Aviation Electronics Industry, Ltd.)

Mating connector : FI-RE41HL (Japan Aviation Electronics Industry, Ltd.)

Mating LVDS transmitter : THC63LVDM83R (THine Electronics, Inc.) or equivalent device

www.DataSheet4U.com

Pin No.	Symbol	Function	Remark
1	GND	GND	
2	AIN0-	Aport (-)LVDS CH0 differential data input	
3	AIN0+	Aport (+)LVDS CH0 differential data input	
4	AIN1-	Aport (-)LVDS CH1 differential data input	
5	AIN1+	Aport (+)LVDS CH1 differential data input	
6	AIN2-	Aport (-)LVDS CH2 differential data input	
7	AIN2+	Aport (+)LVDS CH2 differential data input	
8	GND	GND	
9	ACK-	Aport LVDS Clock signal(-)	
10	ACK+	Aport LVDS Clock signal(+)	
11	AIN3-	Aport (-)LVDS CH3 differential data input	
12	AIN3+	Aport (+)LVDS CH3 differential data input	
13	GND	GND	
14	GND	GND	
15	GND	GND	
16	BIN0-	Bport (-)LVDS CH0 differential data input	
17	BIN0+	Bport (+)LVDS CH0 differential data input	
18	BIN1-	Bport (-)LVDS CH1 differential data input	
19	BIN1+	Bport (+)LVDS CH1 differential data input	
20	BIN2-	Bport (-)LVDS CH2 differential data input	
21	BIN2+	Bport (+)LVDS CH2 differential data input	
22	GND	GND	
23	BCK-	Bport LVDS Clock signal(-)	
24	BCK+	Bport LVDS Clock signal(+)	
25	BIN3-	Bport (-)LVDS CH3 differential data input	
26	BIN3+	Bport (+)LVDS CH3 differential data input	
27	GND	GND	
28	GND	GND	
29	GND	GND	
30	SELLVDS	Select LVDS data order [Note1]	Pull up : (3.3V)
31	R/L	Horizontal shift direction [Note2]	Pull down : (GND)
32	U/D	Vertical shift direction [Note2]	Pull down : (GND)
33	NC	NC	
34	50Hz/60Hz	Frame frequency setting 1:60Hz, 0:50Hz [Note3]	Pull down : (GND)
35	NC	NC	
36	TEMP3	Data3 of panel surface temperature [Note4]	Pull up : (3.3V)
37	TEMP2	Data2 of panel surface temperature [Note4]	Pull up : (3.3V)
38	TEMP1	Data1 of panel surface temperature [Note4]	Pull up : (3.3V)
39	NC	NC	
40	OS/ON-OFF	O/S operating setup 1:OS_ON, 0:OS_OFF [Note4]	Pull up : (3.3V)
41	NC	NC	

[note] GND of a liquid crystal panel drive part has connected with a module chassis.

CN2 (+12V DC power supply) (Shown in Fig.1)

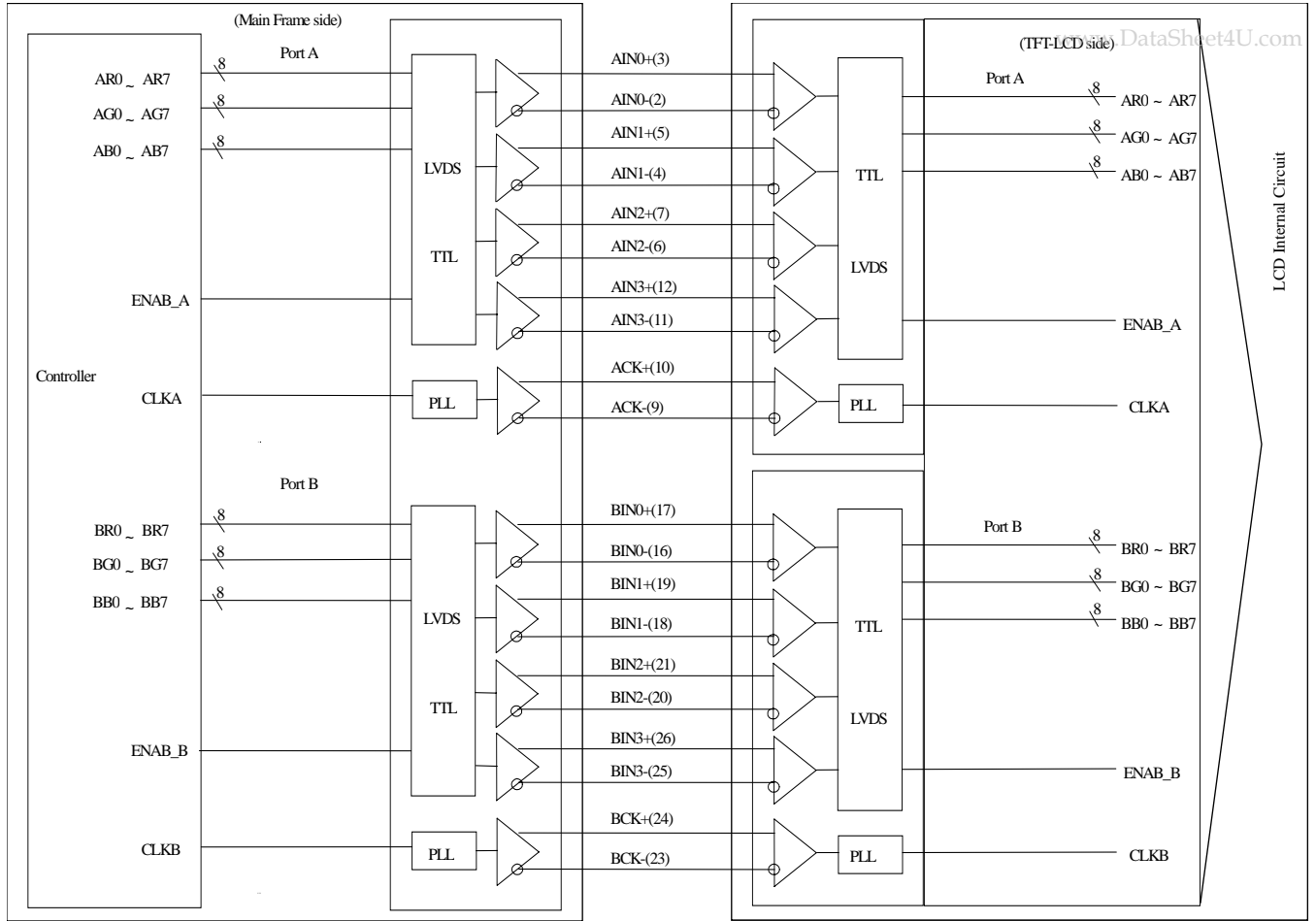
Using connector : BM20B-SHLDS-G-TFT (J.S.T. Mfg Co.,Ltd.)

Mating connector : SHLDP-20V-S-1 (J.S.T. Mfg Co.,Ltd.)

www.DataSheet4U.com

Pin No.	Symbol	Function	Remark
1	Vcc	+12V	
2	Vcc	+12V	
3	Vcc	+12V	
4	Vcc	+12V	
5	Vcc	+12V	
6	GND	GND	
7	GND	GND	
8	GND	GND	
9	GND	GND	
10	GND	GND	
11	NC	NC	
12	NC	NC	
13	NC	NC	
14	NC	NC	
15	NC	NC	
16	NC	NC	
17	NC	NC	
18	NC	NC	
19	NC	NC	
20	NC	NC	

• Interface block diagram



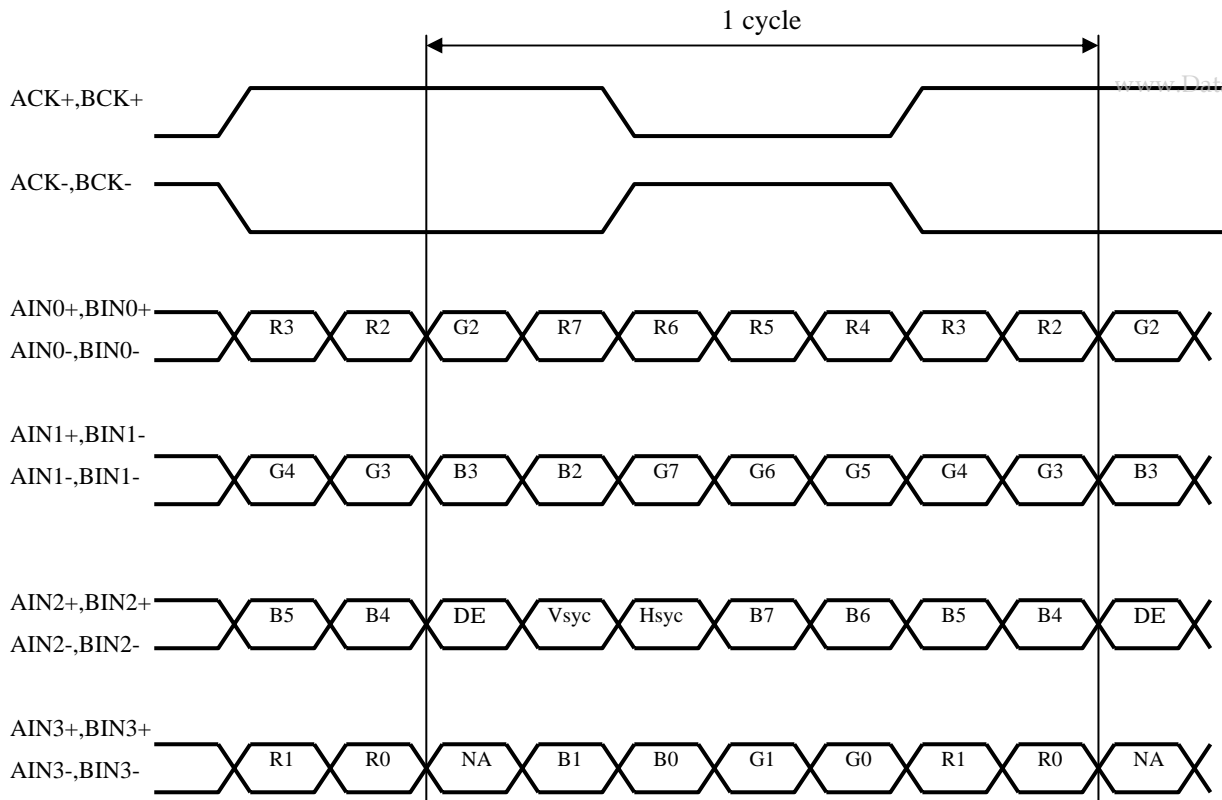
Transmitter: THC63LVDM83R (THine Electronics, Inc.) or equivalent device

[Note 1]SELLVDS

Transmitter	SELLVDS	
	=L(GND)	=H(3.3V) or Open
TA0	R0(LSB)	R2
TA1	R1	R3
TA2	R2	R4
TA3	R3	R5
TA4	R4	R6
TA5	R5	R7(MSB)
TA6	G0(LSB)	G2
TB0	G1	G3
TB1	G2	G4
TB2	G3	G5
TB3	G4	G6
TB4	G5	G7(MSB)
TB5	B0(LSB)	B2
TB6	B1	B3
TC0	B2	B4
TC1	B3	B5
TC2	B4	B6
TC3	B5	B7(MSB)
TC4	NA	NA
TC5	NA	NA
TC6	DE	DE
TD0	R6	R0(LSB)
TD1	R7(MSB)	R1
TD2	G6	G0(LSB)
TD3	G7(MSB)	G1
TD4	B6	B0(LSB)
TD5	B7(MSB)	B1
TD6	NA	NA

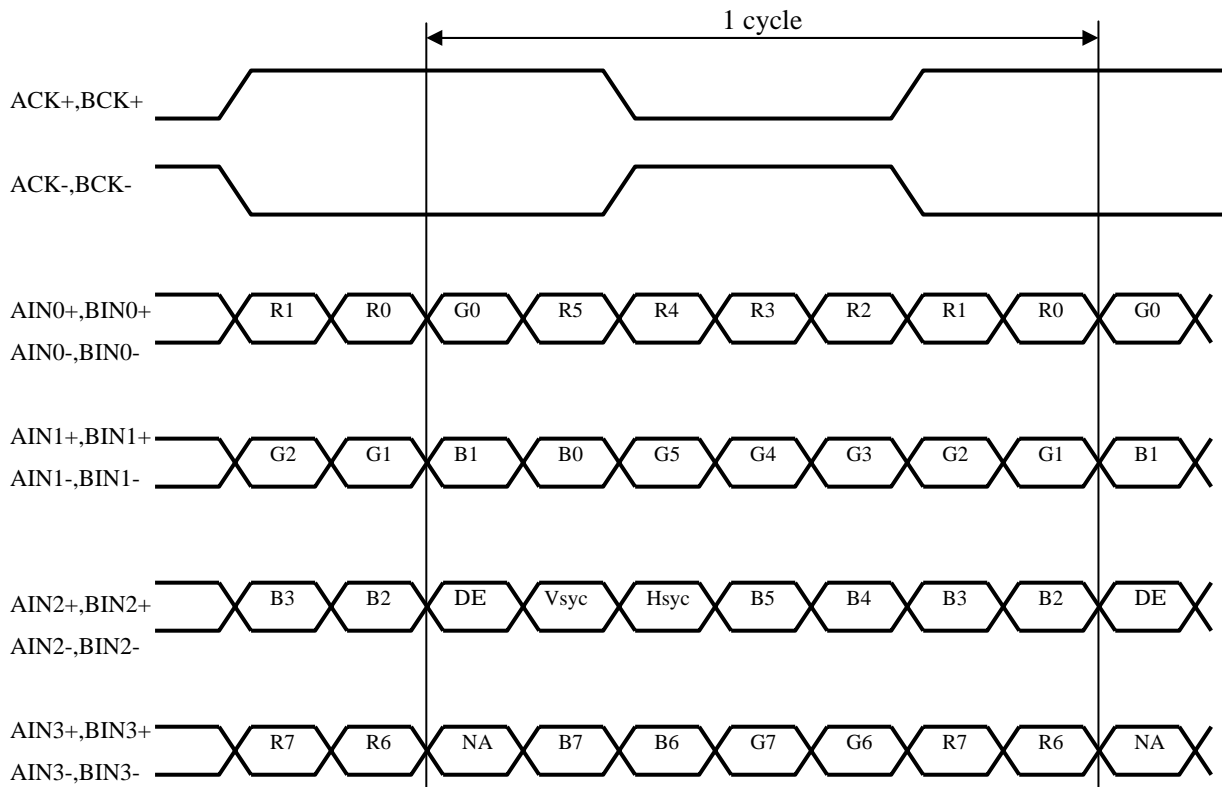
NA: Not Available

<SELLVDS= High (3.3V) or OPEN>



DE: Display Enable NA: Not Available

<SELLVDS= Low(GND)>

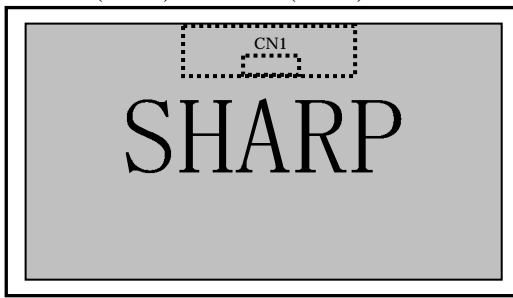


DE: Display Enable NA: Not Available

[Note 2] Display reversal function

Normal (Default)

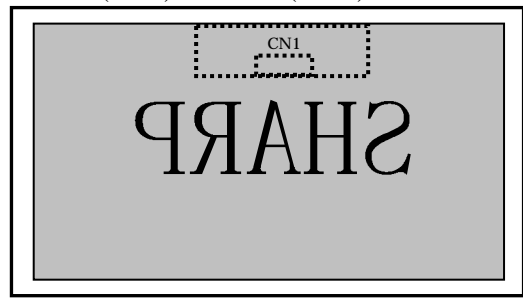
R/L : L (GND) U/D: L (GND)



Horizontal reverse image

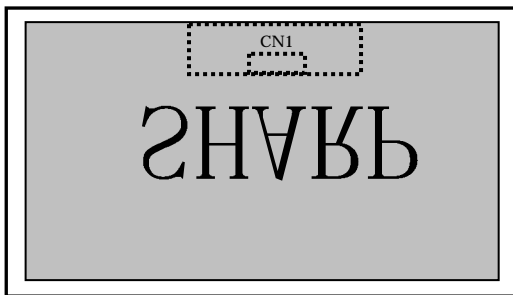
R/L : H (3.3V) U/D: L (GND)

www.DataSheet4U.com



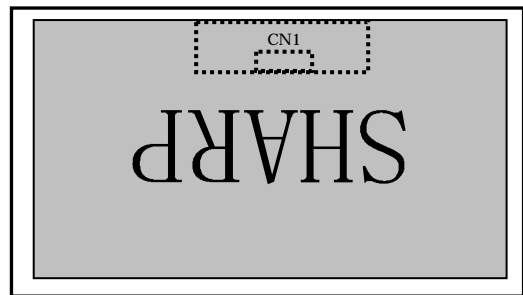
Vertical reverse image

R/L : L (GND) U/D: H (3.3V)



Horizontal and vertical reverse image

R/L : H(3.3V) U/D: H (3.3V)



[Note 3] O/S control

0: Low level voltage (GND) 1: High level voltage(3.3V)

Symbol	Function	Remark
50Hz/60Hz	Frame frequency setting 1:60Hz, 0:50Hz	Pull down 10k : (GND)

[Note 4] O/S control

0: Low level voltage (GND) 1: High level voltage(3.3V)

Symbol	Function	Remark
OS/ON-OFF	O/S operating setting 1:OS_ON, 0:OS_OFF	Pull up 10k : (3.3V) (*)
TEMP3	Data3 of panel surface temperature	Pull up 10k : (3.3V) (*)
TEMP2	Data2 of panel surface temperature	Pull up 10k : (3.3V) (*)
TEMP1	Data1 of panel surface temperature	Pull up 10k : (3.3V) (*)

(*) In case of OS/ON-OFF setting "0"(OS_OFF), it should be set the TEMP1~3 to "0".

According as the surface temperature of the panel, enter the optimum 3 bit signal into pin No.4,5,6. Measuring the correlation between detected temperature by the sensor on PWB in users side and actual surface temperature of panel at center, convert the temperature detected by the sensor to the surface temperature of panel to enter the 3 bit temperature data.

For overlapping temperatures (such as 5 ,10 ,15 ,20 ,25 , 30 ,35) select the optimum parameter, judging from the actual picture image.

Pin no.	Surface temperature of panel (assembled to the set)							
	0-5	5-10	10-15	15-20	20-25	25-30	30-35	35 and above
TEMP3	0	0	0	0	1	1	1	1
TEMP2	0	0	1	1	0	0	1	1
TEMP1	0	1	0	1	0	1	0	1

*0: Low level voltage (GND) 1: High level voltage(3.3V)

4-3. Backlight driving

CN3 (Inverter control and +24V DC power supply) (Shown in Fig.1)

Using connector: S14B-PH-K-SB(LF) (J.S.T. Mfg Co.,Ltd.)

Mating connector: PHR-14 (J.S.T. Mfg Co.,Ltd.)

www.DataSheet4U.com

Pin No.	Symbol	Function	Remark
1	V _{INV}	24V	
2	V _{INV}	24V	
3	V _{INV}	24V	
4	V _{INV}	24V	
5	V _{INV}	24V	
6	GND	GND	
7	GND	GND	
8	GND	GND	
9	GND	GND	
10	GND	GND	
11	Reserved	For LCD module internal usage, should be open	
12	V _{ON}	Inverter ON/OFF	【Note 1】
13	V _{BRT}	Brightness Control	【Note 2】
14	Reserved	For LCD module internal usage, should be open	

*GND of an inverter board is not connected to GND of a module chassis and a liquid crystal panel drive part.

CN4 (+24V DC power supply) (Shown in Fig.1)

Using connector: S14B-PH-K-SB(LF) (J.S.T. Mfg Co.,Ltd.)

Mating connector: PHR-14 (J.S.T. Mfg Co.,Ltd.)

Pin No.	Symbol	Function	Remark
1	V _{INV}	24V	
2	V _{INV}	24V	
3	V _{INV}	24V	
4	V _{INV}	24V	
5	V _{INV}	24V	
6	GND	GND	
7	GND	GND	
8	GND	GND	
9	GND	GND	
10	GND	GND	
11	Reserved	For LCD module internal usage, should be open	
12	Reserved	For LCD module internal usage, should be open	
13	Reserved	For LCD module internal usage, should be open	
14	Reserved	For LCD module internal usage, should be open	

*GND of an inverter board is not connected to GND of a module chassis and a liquid crystal panel drive part.

【Note 1】 Inverter ON/OFF

Pin No.12 is used for the control of the Inverter ON / OFF.

Input voltage	Function
3.3V	Inverter : ON
0V	Inverter : OFF

【Note 2】 Brightness control

PWM brightness control is regulated by analog input voltage (0V to 3.3V)..

Input voltage	Function
3.3V	Brightness Maximum (Bright)
0V	Brightness Minimum (Dark)

4-4. The back light system characteristics

The back light system is direct type with 24 CCFTs (Cold Cathode Fluorescent Tube).

The characteristics of the lamp are shown in the following table.

The value mentioned below is at the case of one CCFT.

www.DataSheet4U.com

Item	Symbol	Min.	Typ.	Max.	Unit	Remarks
Life time	T _L	-	(60000)	-	Hour	[Note]

[Note] • Lamp life time is defined as the time when brightness becomes 50% of the original value in the continuous operation under the condition of Ta=25 .

• Above value is applicable when the long side of LCD module is placed horizontally (Landscape position).

5. Absolute Maximum Ratings

Parameter	Symbol	Condition	Ratings	Unit	Remark
Input voltage (for Control)	V _I	Ta=25	-0.3 ~ 3.6	V	[Note 1]
12V supply voltage (for Control)	VCC	Ta=25	0 ~ +14	V	
Input voltage (for Inverter)	V _{BRT} V _{ON}	Ta=25	0 ~ +6	V	
24V supply voltage (for Inverter)	V _{INV}	Ta=25	0 ~ +29	V	
Storage temperature	T _{stg}	-	-25 ~ +60		[Note 2]
Operation temperature (Ambient)	T _{opa}	-	0 ~ +50		

[Note 1] SELVDS, R/L, U/D, 50Hz/60Hz, OS/ON-OFF, TEMP3,2,1

[Note 2] Humidity 95%RH Max.(Ta 40)

Maximum wet-bulb temperature at 39 or less.(Ta>40)

No condensation.

6. Electrical Characteristics

6-1. Control circuit driving

Ta=25

Parameter	Symbol	Min.	Typ.	Max.	Unit	Remark	
+12V supply voltage	Supply voltage	V _{CC}	11.4	12.0	12.6	V	[Note 1]
	Current	I _{CC}	-	(1.05)	(TBD)	A	[Note 2]
Permissible input ripple voltage	V _{RP}	-	-	100	mV _{P-P}	V _{CC} = +12.0V	
Differential input threshold voltage	High	V _{TH}	-	-	100	mV	V _{CM} = +1.2V [Note 6]
	Low	V _{TL}	-100	-	-	mV	
Input Low voltage	V _{IL}	-	-	0.8	V	[Note 3]	
Input High voltage	V _{IH}	2.0	-	3.3	V		
Input leak current (Low)	I _{IL}	-	-	400	μA	V _I = 0V [Note 4]	
Input leak current (High)	I _{IH}	-	-	400	μA	V _I = 3.3V [Note 5]	
Terminal resistor	R _T	-	100	-		Differential input	

[Note] V_{CM}: Common mode voltage of LVDS driver.

[Note 1]

Input voltage sequences

- 0 < t1 10ms
- 10ms < t2 20ms
- 10ms < t3 1s
- 0 < t4 1ms
- t5 500ms
- t6 0
- t7 500ms

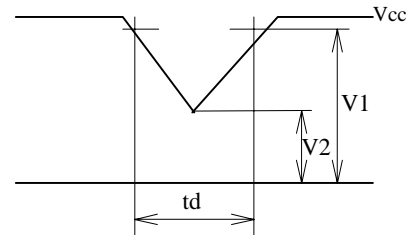
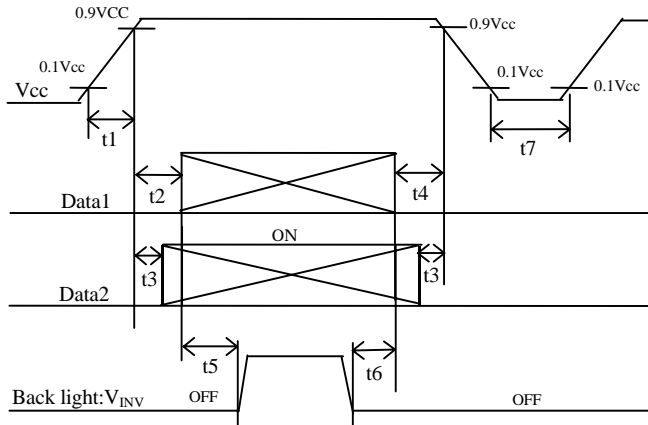
Dip conditions for supply voltage

- a) 6.5V Vcc < 10.8V
- td 10ms
- b) Vcc < 6.5V

www.DataSheet4U.com

Dip conditions for supply voltage is based on input voltage sequence.

*Please input data signals after clock confirmed.



V1:10.8V
V2:6.5V

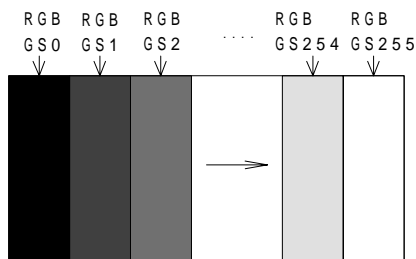
Data1: ACK ±, BCK ±, AIN0 ±, AIN1 ±, AIN2 ±, AIN3 ±, BIN0 ±, BIN1 ±, BIN2 ±, BIN3 ±
Data2: SELLVDS, R/L, U/D

About the relation between data input and back light lighting, please base on the above-mentioned input sequence. When backlight is switched on before panel operation or after a panel operation stop, it may not display normally. But this phenomenon is not based on change of an incoming signal, and does not give damage to a liquid crystal display.

[Note 2] Maximum current situation: white (RGB GSS255)

Typical current situation: 256 gray-bar pattern

The explanation of RGB gray scale is seen in section 8.



Vcc = 12.0V
CK = 74.25MHz
Th = 14.8µs

[Note 3] R/L, U/D, SELLVDS, 50Hz/60Hz, OS/ON-OFF, TEMP3,2,1

[Note 4] SELLVDS

[Note 5] R/L,U/D, 50Hz/60Hz, TEMP3,2,1

[Note 6] ACK ±, BCK ±, AIN0 ±, AIN1 ±, AIN2 ±, AIN3 ±, BIN0 ±, BIN1 ±, BIN2 ±, BIN3 ±

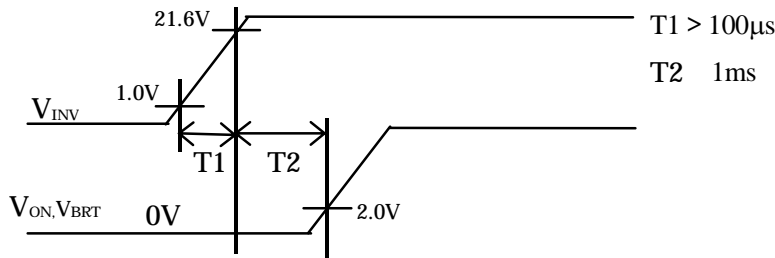
6-2. Inverter driving for back light

The back light system is direct type with 24 CCFTs (Cold Cathode Fluorescent Tube).

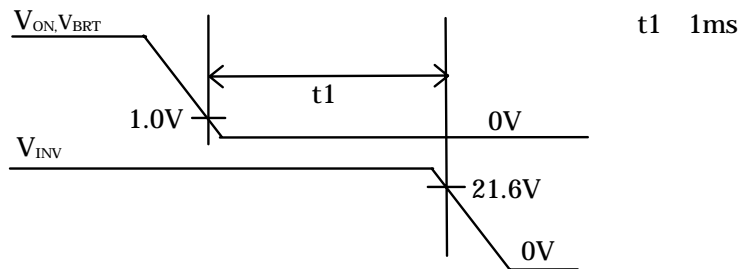
Ta=25

Parameter	Symbol	Min.	Typ.	Max.	Unit	Remark
+ 24V	Current 1	I _{INV1}	(10.8)	(TBD)	A	V _{INV} = 24V V _{BRT} = 3.3V, V _{ON} = 3.3V 【Note 2】
	Current 2	I _{INV2}	(9.3)	(TBD)	A	
	Supply voltage	V _{INV}	22.8	24.0	25.2	
Permissible input ripple voltage	V _{RF}	-	-	200	mV	V _{INV} = +24V
Input voltage (Low)	V _{ONL}	0	-	1.0	V	V _{ON} impedance=(TBD)k
Input voltage (High)	V _{ONH}	3.0	3.3	5.0	V	
Input voltage	V _{BRT}	0	-	3.3	V	V _{BRT} impedance=(TBD)k

【Note 1】 1) V_{INV}(+24V) turn-on condition



2) V_{INV}(+24V) turn-off condition



【Note 2】 Current1) Definition within 60 minutes after turn on. (Rush current is excluded.)

Current2) Definition more than 60minutes after turn on.

7. Timing characteristics of input signals

7-1. Timing characteristics

Timing diagrams of input signal are shown in Fig.2.

www.DataSheet4U.com

Item		Symbol	Min	Typ	Max	Unit
DCLK	Frequency	1/Tc	55	74.25	80	MHz
DE (Data Enable)	Horizontal total	TH	1030	1100	1650	CLOCK
			14.8	14.8	-	μs
	Horizontal valid	THd	960	960	960	CLOCK
	Horizontal retrace period	TH-THd	1.80	1.87	-	μs
	Vertical total	TV	1111	1125	1360	LINE
	Vertical valid	TVd	1080	1080	1080	LINE

- [Note]**
- 1) When vertical period is very long, flicker and etc. may occur.
 - 2) Please turn off the module after it shows the black screen.
 - 3) Please make sure that length of vertical period should become of an integral multiple of horizontal length of period. Otherwise, the screen may not display properly.

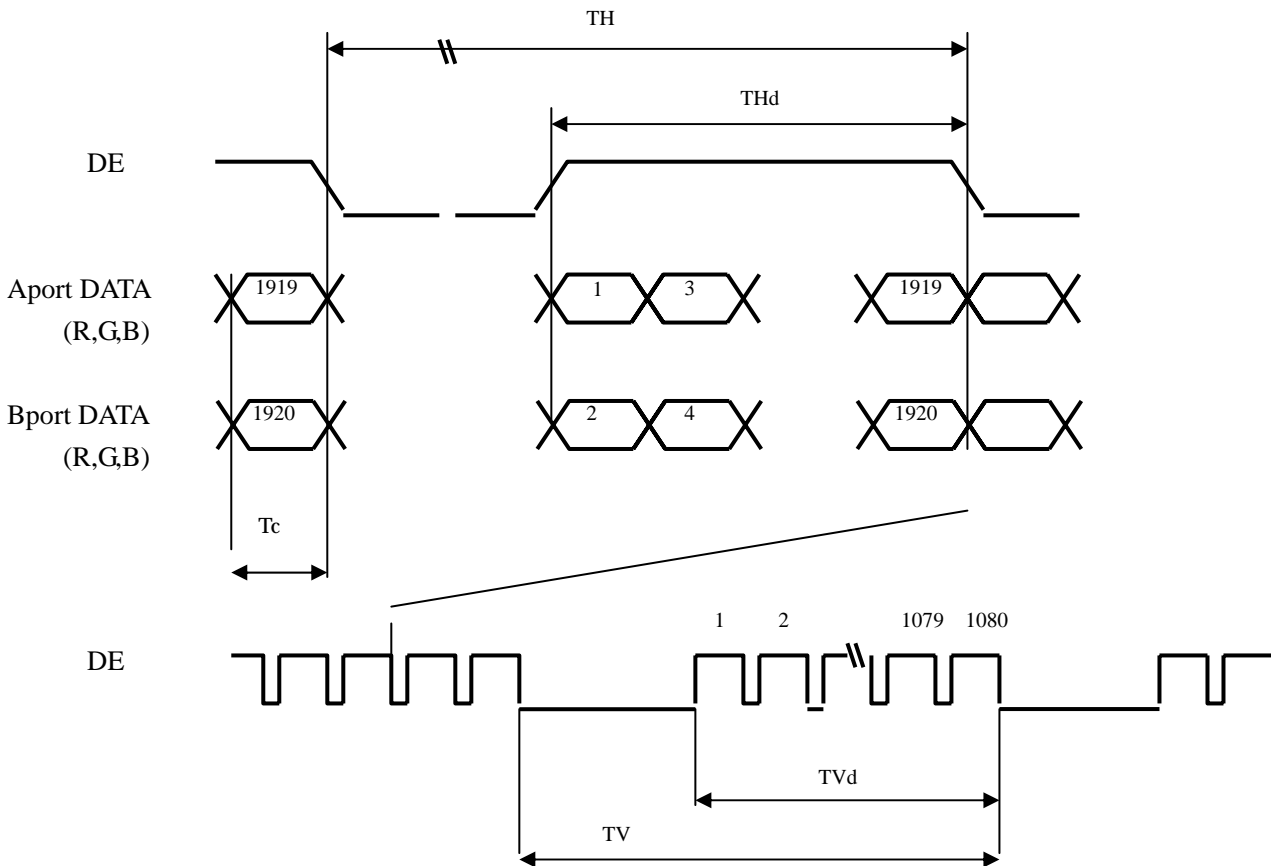
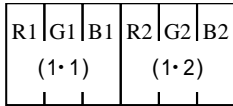
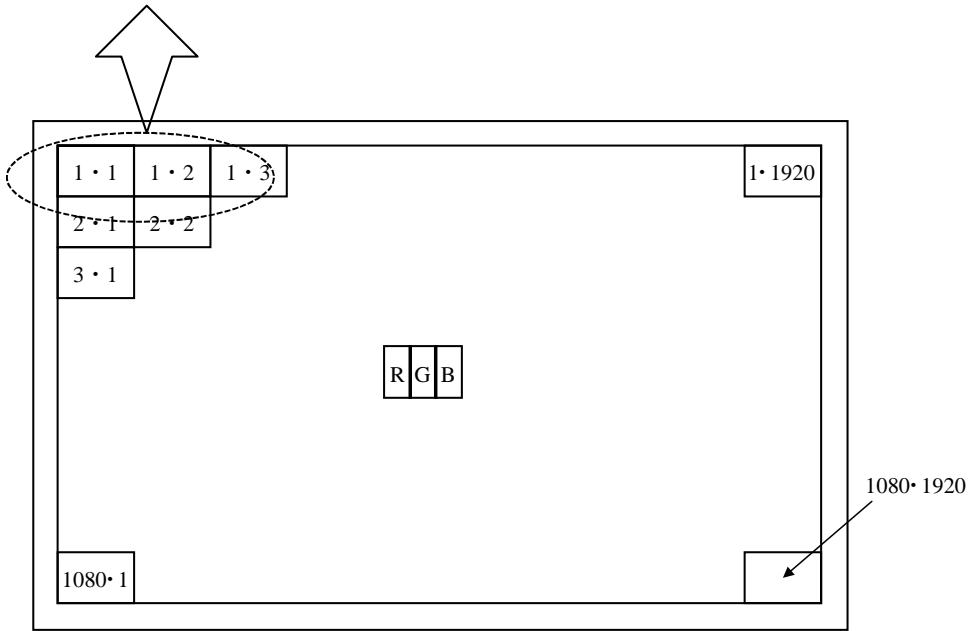


Fig.2 Timing characteristics of input signals

7-2. Input data signal and display position on the screen



www.DataSheet4U.com



Display position of Data (V,H)

8. Input Signal, Basic Display Colors and Gray Scale of Each Color

Colors & Gray scale	Data signal																									
	Gray Scale	R0	R1	R2	R3	R4	R5	R6	R7	G0	G1	G2	G3	G4	G5	G6	G7	B0	B1	B2	B3	B4	B5	B6	B7	
Basic Color	Black	-	0	0	0	0	0	0	0	0	0	0	0	0	0	0	0	0	0	0	0	0	0	0	0	0
	Blue	-	0	0	0	0	0	0	0	0	0	0	0	0	0	0	0	0	1	1	1	1	1	1	1	1
	Green	-	0	0	0	0	0	0	0	0	1	1	1	1	1	1	1	1	0	0	0	0	0	0	0	0
	Cyan	-	0	0	0	0	0	0	0	0	1	1	1	1	1	1	1	1	1	1	1	1	1	1	1	1
	Red	-	1	1	1	1	1	1	1	1	0	0	0	0	0	0	0	0	0	0	0	0	0	0	0	0
	Magenta	-	1	1	1	1	1	1	1	1	0	0	0	0	0	0	0	0	1	1	1	1	1	1	1	1
	Yellow	-	1	1	1	1	1	1	1	1	1	1	1	1	1	1	1	1	0	0	0	0	0	0	0	0
	White	-	1	1	1	1	1	1	1	1	1	1	1	1	1	1	1	1	1	1	1	1	1	1	1	1
Gray Scale of Red	Black	GS0	0	0	0	0	0	0	0	0	0	0	0	0	0	0	0	0	0	0	0	0	0	0	0	0
	↑	GS1	1	0	0	0	0	0	0	0	0	0	0	0	0	0	0	0	0	0	0	0	0	0	0	0
	Darker	GS2	0	1	0	0	0	0	0	0	0	0	0	0	0	0	0	0	0	0	0	0	0	0	0	0
	↑	↓																								
	↓	↓																								
	Brighter	GS253	1	0	1	1	1	1	1	1	0	0	0	0	0	0	0	0	0	0	0	0	0	0	0	0
	↓	GS254	0	1	1	1	1	1	1	1	0	0	0	0	0	0	0	0	0	0	0	0	0	0	0	0
	Red	GS255	1	1	1	1	1	1	1	1	0	0	0	0	0	0	0	0	0	0	0	0	0	0	0	0
Gray Scale of Green	Black	GS0	0	0	0	0	0	0	0	0	0	0	0	0	0	0	0	0	0	0	0	0	0	0	0	0
	↑	GS1	0	0	0	0	0	0	0	0	1	0	0	0	0	0	0	0	0	0	0	0	0	0	0	0
	Darker	GS2	0	0	0	0	0	0	0	0	0	1	0	0	0	0	0	0	0	0	0	0	0	0	0	0
	↑	↓																								
	↓	↓																								
	Brighter	GS253	0	0	0	0	0	0	0	0	1	0	1	1	1	1	1	1	0	0	0	0	0	0	0	0
	↓	GS254	0	0	0	0	0	0	0	0	0	1	1	1	1	1	1	1	0	0	0	0	0	0	0	0
	Green	GS255	0	0	0	0	0	0	0	0	1	1	1	1	1	1	1	1	0	0	0	0	0	0	0	0
Gray Scale of Blue	Black	GS0	0	0	0	0	0	0	0	0	0	0	0	0	0	0	0	0	0	0	0	0	0	0	0	0
	↑	GS1	0	0	0	0	0	0	0	0	0	0	0	0	0	0	0	0	1	0	0	0	0	0	0	0
	Darker	GS2	0	0	0	0	0	0	0	0	0	0	0	0	0	0	0	0	0	1	0	0	0	0	0	0
	↑	↓																								
	↓	↓																								
	Brighter	GS253	0	0	0	0	0	0	0	0	0	0	0	0	0	0	0	0	1	0	1	1	1	1	1	1
	↓	GS254	0	0	0	0	0	0	0	0	0	0	0	0	0	0	0	0	0	1	1	1	1	1	1	1
	Blue	GS255	0	0	0	0	0	0	0	0	0	0	0	0	0	0	0	0	1	1	1	1	1	1	1	1

0 : Low level voltage, 1 : High level voltage.

Each basic color can be displayed in 256 gray scales from 8 bit data signals. According to the combination of total 24 bit data signals, the 16-million-color display can be achieved on the screen.

9. Optical characteristics

Ta=25 , Vcc = 12.0V, VINV = 24.0V, VBRT = 3.3V

Parameter		Symbol	Condition	Min.	Typ.	Max.	Unit	Remark
Viewing angle range	Vertical	11,12	CR 10	80	88	-	Deg.	[Note1,4]
	Horizontal	21,22		80	88	-	Deg.	
Contrast ratio		CR	=0 deg.	(1000)	(1200)	-		[Note2,4] VBRT=3.3V
Response time		d	=0 deg.	-	(6)	-	ms	[Note3,4,5] VBRT=3.3V
		r		-	(6)	-	ms	
Chromaticity	White	Wx	=0 deg.	(TBD)	(0.272)	(TBD)	-	[Note 4] VBRT=3.3V
		Wy		(TBD)	(0.277)	(TBD)	-	
	Red	Rx	=0 deg.	(TBD)	(TBD)	(TBD)	-	
		Ry		(TBD)	(TBD)	(TBD)	-	
	Green	Gx	=0 deg.	(TBD)	(TBD)	(TBD)	-	
		Gy		(TBD)	(TBD)	(TBD)	-	
	Blue	Bx	=0 deg.	(TBD)	(TBD)	(TBD)	-	
		By		(TBD)	(TBD)	(TBD)	-	
Luminance of white		YL	=0 deg.	(360)	(450)		cd/m ²	[Note 4] VBRT=3.3V
Luminance uniformity		w	=0 deg.	-	-	(1.25)		[Note 6]

Measurement condition : Set the value of VBRT to maximum luminance of white.

*The measurement shall be executed 60 minutes after lighting at rating.

【Note】 The optical characteristics are measured using the following equipment.

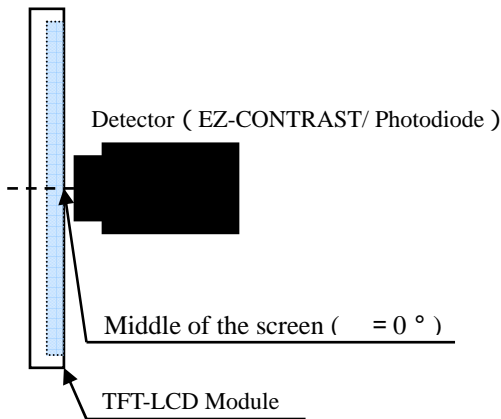


Fig.3-1 Measurement of viewing angle range and Response time.

Viewing angle range: EZ-CONTRAST

Response time: Photodiode

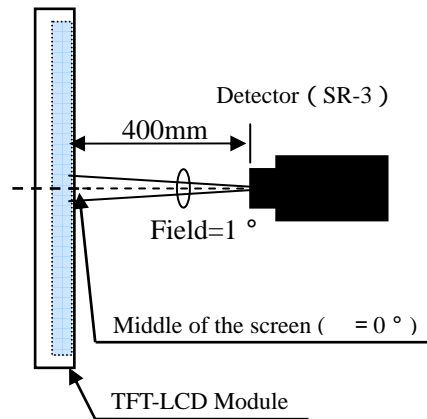
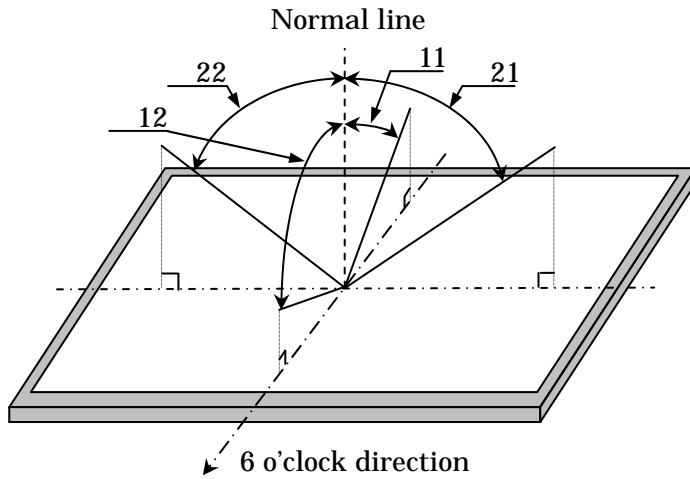


Fig.3-2 Measurement of Contrast, Luminance, Chromaticity.

[Note 1]Definitions of viewing angle range :



www.DataSheet4U.com

[Note 2]Definition of contrast ratio :

The contrast ratio is defined as the following.

$$\text{Contrast Ratio} = \frac{\text{Luminance (brightness) with all pixels white}}{\text{Luminance (brightness) with all pixels black}}$$

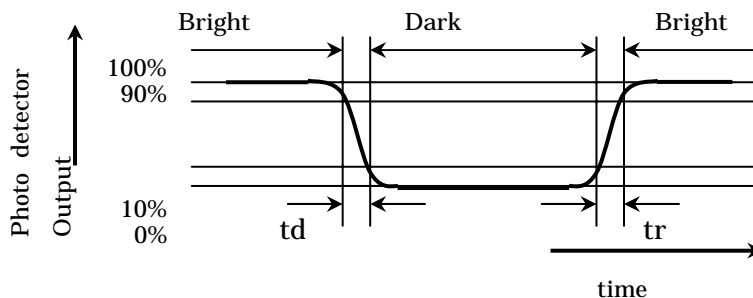
[Note 3]Definition of response time

The response time (τ_d and τ_r) is defined as the following figure and shall be measured by switching the input signal for “any level of gray (0%, 25%, 50%, 75% and 100%)” and “any level of gray (0%, 25%, 50%, 75% and 100%)”.

	0%	25%	50%	75%	100%
0%		tr:0%-25%	tr:0%-50%	tr:0%-75%	tr:0%-100%
25%	td: 25%-0%		tr: 25%-50%	tr:25%-75%	tr: 25%-100%
50%	td: 50%-0%	td: 50%-25%		tr: 50%-75%	tr: 50%-100%
75%	td: 75%-0%	td: 75%-25%	td: 75%-50%		tr: 75%-100%
100%	td: 100%-0%	td: 100%-25%	td: 100%-50%	td:10 0%-75%	

t*:x-y...response time from level of gray(x) to level of gray(y)

$$\tau_r = \Sigma(\text{tr}:x-y)/10, \tau_d = \Sigma(\text{td}:x-y)/10$$



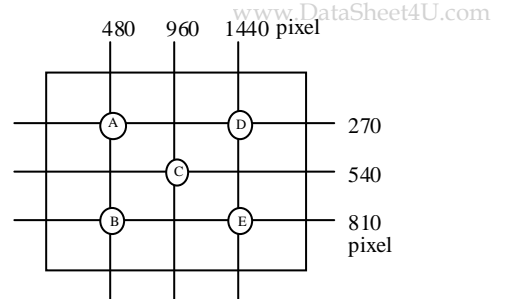
[Note 4] This shall be measured at center of the screen.

[Note 5] This value is valid when O/S driving is used at typical input time value.

[Note 6] Definition of white uniformity ;

White uniformity is defined as the following with five measurements. (A ~ E)

$$w = \frac{\text{Maximum luminance of five points (brightness)}}{\text{Minimum luminance of five points (brightness)}}$$



10. Handling Precautions of the module

- a) Be sure to turn off the power supply when inserting or disconnecting the cable.
- b) This product is using the parts (inverter, CCFT etc), which generate the high voltage. Therefore, during operating, please don't touch these parts.
- c) Brightness control voltage is switched for "ON" and "OFF", as shown in Fig.4. Voltage difference generated by this switching, V_{INV} , may affect a sound output, etc. when the power supply is shared between the inverter and its surrounding circuit. So, separate the power supply of the inverter circuit with the one of its surrounding circuit.

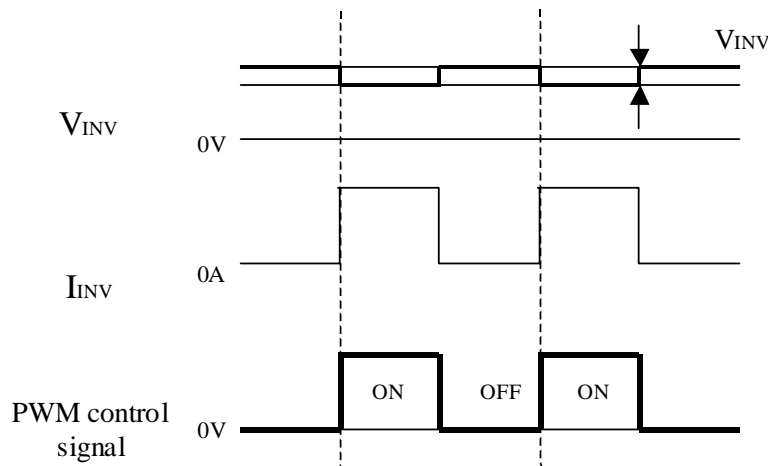


Fig.4 Brightness control voltage.

*Since inverter board's GND is not connected to the frame of the LCD module, please connect it with the Customer's GND of inverter power supply.

- d) Be sure to design the cabinet so that the module can be installed without any extra stress such as warp or twist.
- e) Since the front polarizer is easily damaged, pay attention not to scratch it.
- f) Since long contact with water may cause discoloration or spots, wipe off water drop immediately.
- g) When the panel surface is soiled, wipe it with absorbent cotton or other soft cloth.
- h) Since the panel is made of glass, it may break or crack if dropped or bumped on hard surface. Handle with care.
- i) Since CMOS LSI is used in this module, take care of static electricity and take the human earth into consideration when handling.
- j) Please consider to minimize the influence of EMI and the exogenous noise before designing the grounding of LCD module.

- k) The module has some printed circuit boards (PCBs) and lamp cables on the back side, take care to keep them form any stress or pressure when handling or installing the module; otherwise some of electronic parts on the PCBs may be damaged.
- l) Observe all other precautionary requirements in handling components.
- m) When some pressure is added onto the module from rear side constantly, it causes display non-uniformity issue, functional defect, etc.. So, please avoid such design.
- n) When handling LCD modules and assembling them into cabinets, please be noted that long-term storage in the environment of oxidization or deoxidization gas and the use of such materials as reagent, solvent, adhesive, resin, etc. which generate these gasses, may cause corrosion and discoloration of the LCD modules.
- o) Lamps of the backlight are placed horizontally to the long side of LCD module. So make sure that the LCD module are placed horizontally (landscape position), as lifetime of backlight becomes shorter if placed at a tilt.
- p) Make sure that the LCD module is operated within specified temperature and humidity.
Measures against dust, water, vibration, and heat radiation, etc. are required at the cabinet or equipment side.
And image retention may occur if same fixed pattern is displayed for a long time. In some cases, it may not disappear.
Please consider the design and operating environment.

11. Packing form

- a) Piling number of cartons : TBD
- b) Packing quantity in one carton : TBD
- c) Carton size : TBD
- d) Total mass of one carton filled with full modules : TBD

12. Reliability test item

No.	Test item	Condition	
1	High temperature storage test	Ta=60 240h	
2	Low temperature storage test	Ta=-25 240h	
3	High temperature and high humidity operation test	Ta=40 ; 95%RH 240h (No condensation)	
4	High temperature operation test	Ta=50 240h (Panel surface temperature is below 60)	
5	Low temperature operation test	Ta=0 240h	
6	Vibration test (non-operation)	Frequency: 10~57Hz/Vibration width (one side): 0.075mm : 58~500Hz/Acceleration: 9.8 m/ s ² Sweep time: 11 minutes Test period: 3 hours (1h for each direction of X, Y, Z)	【Note】
7	Shock test (non-operation)	Maximum acceleration: 490m/s ² Pulse width: 11ms, sinusoidal half wave Direction: ± X, ± Y, ± Z, once for each direction.	【Note】
8	ESD	* At the following conditions, it is a thing without incorrect operation and destruction. (1)Non-operation: Contact electric discharge ± 10kV Non-contact electric discharge ± 20kV (2)Operation: Contact electric discharge ± 8kV Non-contact electric discharge ± 15kV Conditions: 150pF、 330ohm	

【Note】 LCD panel misalignment is within tolerance levels after vibration and shock tests.

LCD module is supposed to be installed at the right position mentioned in the outline dimensions during vibration and shock tests.

【Result evaluation criteria】

Under the display quality test condition with normal operation state, there shall be no change, which may affect practical display function.

13. Others

1) Lot No. Label ;

TBD

2) Packing Label

TBD

3) Adjusting volume have been set optimally before shipment, so do not change any adjusted value.

If adjusted value is changed, the specification may not be satisfied.

4) Disassembling the module can cause permanent damage and should be strictly avoided.

5) Please be careful since image retention may occur when a fixed pattern is displayed for a long time.

6) Cold cathode fluorescent lamp in LCD PANEL contains a small amount of mercury. Please follow local ordinances or regulations for disposal. This sentence is displayed on the backside of the module.

<p>COLD CATHODE FLUORESCENT LAMP IN LCD PANEL CONTAINS A SMALL AMOUNT OF MERCURY, PLEASE FOLLOW LOCAL ORDINANCES OR REGULATION FOR DISPOSAL 当該液晶ディスプレイパネルは蛍光管が組み込まれていますので、地方自治体の条例、または、規則に従って廃棄ください。</p>

7) Lead-free soldering is applied.

8) The chemical compound, which causes the destruction of ozone layer, is not being used.

9) Appearance quality and standard are referred to the outgoing incoming inspections.

14. Carton storage condition

Temperature 0 to 40

Humidity 95%RH or less

Reference condition : 20 to 35 , 85%RH or less (summer)

: 5 to 15 , 85%RH or less (winter)

• the total storage time (40 , 95%RH) : 240H or less

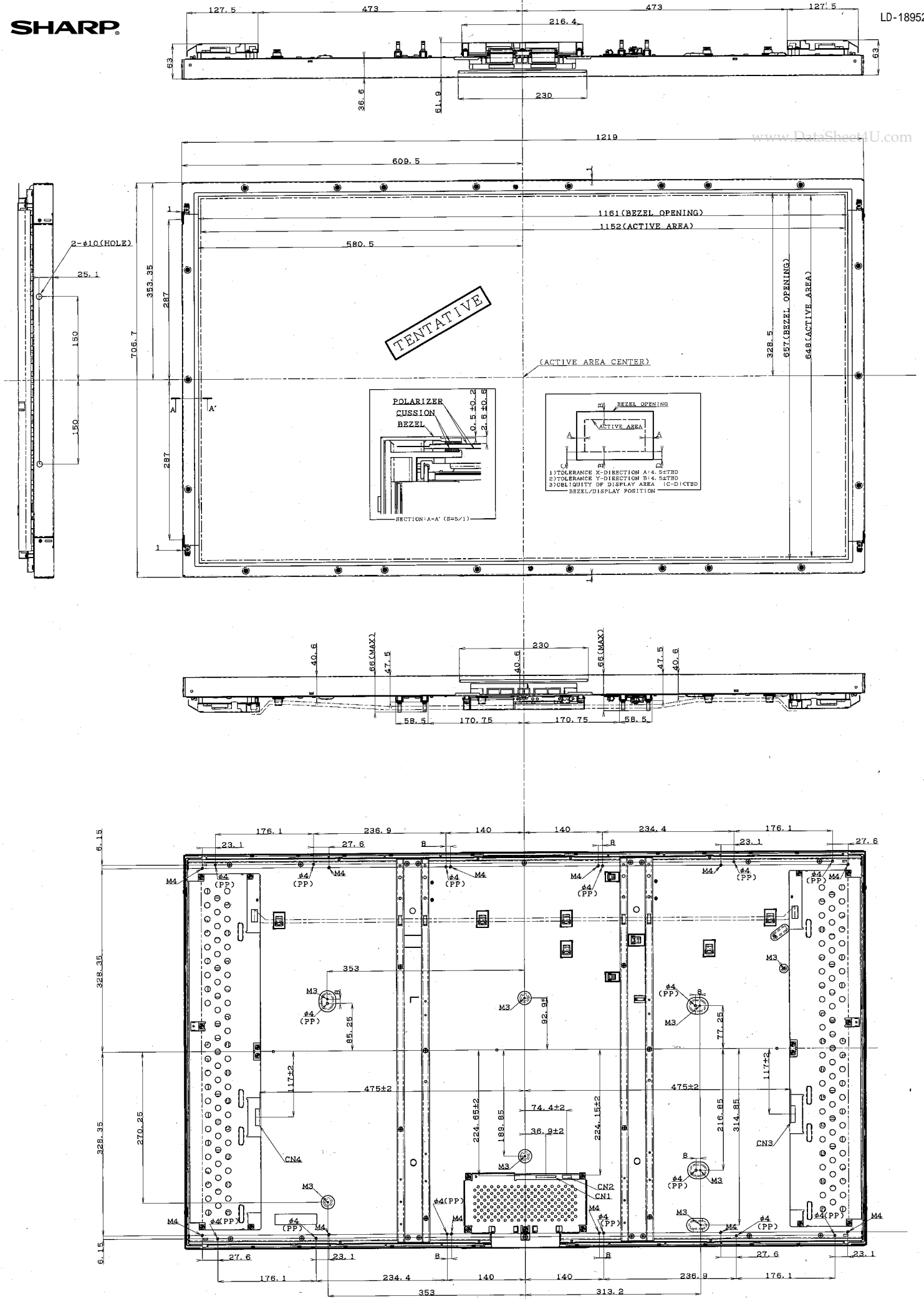
Sunlight Be sure to shelter a product from the direct sunlight.

Atmosphere Harmful gas, such as acid and alkali which bites electronic components and/or wires must not be detected.

Notes Be sure to put cartons on palette or base, don't put it on floor, and store them with removing from wall

Please take care of ventilation in storehouse and around cartons, and control changing temperature is within limits of natural environment

Storage life 1 year



TENTATIVE

BEZEL OPENING
ACTIVE AREA
1) TOLERANCE X-DIRECTION A/4 S/10D
2) TOLERANCE Y-DIRECTION B/4 S/10D
3) OBLIQUITY OF DISPLAY AREA (C-DICTED)
BEZEL/DISPLAY POSITION

Fig.1 OUTLINE DIMENSIONS

NOTE)
1. UNSPECIFIED TOLERANCE TO BE ±1.7
2. RIGHT AND LEFT SIDES IS SYMMETRIC SHAPE
3. PP=A POSITIONING PROJECTION

SPECIFICATIONS ARE SUBJECT TO CHANGE WITHOUT NOTICE.

Suggested applications (if any) are for standard use; See Important Restrictions for limitations on special applications. See Limited Warranty for SHARP's product warranty. The Limited Warranty is in lieu, and exclusive of, all other warranties, express or implied. ALL EXPRESS AND IMPLIED WARRANTIES, INCLUDING THE WARRANTIES OF MERCHANTABILITY, FITNESS FOR USE AND FITNESS FOR A PARTICULAR PURPOSE, ARE SPECIFICALLY EXCLUDED. In no event will SHARP be liable, or in any way responsible, for any incidental or consequential economic or property damage.

www.DataSheet4U.com

SHARP®

NORTH AMERICA

SHARP Microelectronics of the Americas
5700 NW Pacific Rim Blvd.
Camas, WA 98607, U.S.A.
Phone: (1) 360-834-2500
Fax: (1) 360-834-8903
Fast Info: (1) 800-833-9437
www.sharpsma.com

EUROPE

SHARP Microelectronics Europe
Division of Sharp Electronics (Europe) GmbH
Sonninstrasse 3
20097 Hamburg, Germany
Phone: (49) 40-2376-2286
Fax: (49) 40-2376-2232
www.sharpsme.com

JAPAN

SHARP Corporation
Electronic Components & Devices
22-22 Nagaike-cho, Abeno-Ku
Osaka 545-8522, Japan
Phone: (81) 6-6621-1221
Fax: (81) 6117-725300/6117-725301
www.sharp-world.com

TAIWAN

SHARP Electronic Components
(Taiwan) Corporation
8F-A, No. 16, Sec. 4, Nanking E. Rd.
Taipei, Taiwan, Republic of China
Phone: (886) 2-2577-7341
Fax: (886) 2-2577-7326/2-2577-7328

SINGAPORE

SHARP Electronics (Singapore) PTE., Ltd.
438A, Alexandra Road, #05-01/02
Alexandra Technopark,
Singapore 119967
Phone: (65) 271-3566
Fax: (65) 271-3855

KOREA

SHARP Electronic Components
(Korea) Corporation
RM 501 Geosung B/D, 541
Dohwa-dong, Mapo-ku
Seoul 121-701, Korea
Phone: (82) 2-711-5813 ~ 8
Fax: (82) 2-711-5819

CHINA

SHARP Microelectronics of China
(Shanghai) Co., Ltd.
28 Xin Jin Qiao Road King Tower 16F
Pudong Shanghai, 201206 P.R. China
Phone: (86) 21-5854-7710/21-5834-6056
Fax: (86) 21-5854-4340/21-5834-6057

Head Office:

No. 360, Bashen Road,
Xin Development Bldg. 22
Waigaoqiao Free Trade Zone Shanghai
200131 P.R. China
Email: smc@china.global.sharp.co.jp

HONG KONG

SHARP-ROXY (Hong Kong) Ltd.
3rd Business Division,
17/F, Admiralty Centre, Tower 1
18 Harcourt Road, Hong Kong
Phone: (852) 28229311
Fax: (852) 28660779
www.sharp.com.hk

Shenzhen Representative Office:

Room 13B1, Tower C,
Electronics Science & Technology Building
Shen Nan Zhong Road
Shenzhen, P.R. China
Phone: (86) 755-3273731
Fax: (86) 755-3273735